

YB Fish dorsal part load cell

Description

Capacities: (E_{max})
1,2,3,5,7.5,10,20,30,40,50,60t

Rated output:
2.0mV/V
Digital:1,000,000d

Accuracy:
C3 OIML R60

Material of elastomer:
Alloy steel or stainless steel

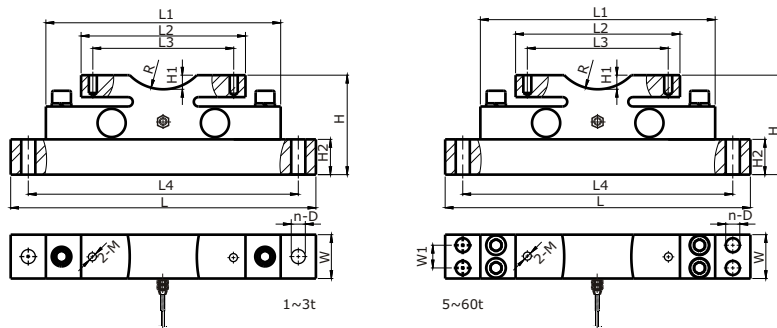
Execution standard:
GB/T 7551-2008 Certificate
(eqv OIML R60)
Combined error: 0.015%

Sealed to IEC 529:
Protection grade: IP67 or IP68.
Protection against total immersion
in water for 30 minutes at a pressure
corresponding to a 1 m head of water.



Dimensions

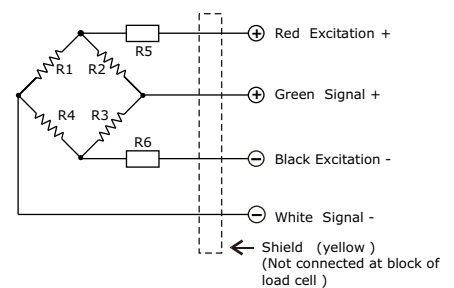
(In mm. 1mm = 0.03937 inches)



CAP./SIZE	L	L1	L2	L3	L4	H	H1	H2	W	W1	M	n-D	R
1,2,3t	320	230	145	120	275	85	18	25	40	-	M12	2-φ18	60
5,7,10t	310	240	145	120	275	100	18	30	50	25	M12	4-φ13	60
15,20,30t	390	300	210	180	345	127	20	45	56	29	M16	4-φ18	80
40,50,60t	500	395	235	200	445	173	21	67	86	45	M20	4-φ22	90

Circuit Diagram

Electrical Termination
4 Core cable standard lengths:
1~3t: 3m, 5~10t: 6m, >=20t:10m
Diameter: φ6
Connection:
Refer to the following drawing:



Notice:

Do not change the length of cable, or lese, it will effect the sensitivity of load cell.

Specification

Item \ Parameter	C3	Unit
Rated load (E_{max}):	1~60	t
Maximal numbers of load cell verification Intervals (N _{ic}):	3000	d
Minimum load cell verification intervals Intervals (V _{min}):	0.01	% of rated load
Rated output (C _n):	2.0±0.1%	mV/V
*Combined error:	0.015	±% of rated output
Temperature effect on sensitivity(T _k c):	0.0012	±% of rated output/°C
Temperature effect on zero balance(T _k 0):	0.0008	±% of rated output/°C
Zero balance:	1.0	±% of rated output
Input resistance(R _{ic}):	775±5	Ω (Ohms)
Output resistance(R _o):	702±2	Ω (Ohms)
Insulation resistance:	≥5000	MΩ (Mega-Ohms)
Safe overload:	150	% of rated capability
Ultimate overload:	300	% of rated capability
Operating temperature range:	-20~+70/-20~+160	°C /°F
Recommend excitation:	8~15	V(DC or AC)
Maximum excitation:	24	V(DC or AC)
Material of elastomer:	Alloy steel / Stainless steel	
Protection class:	IP67/IP68	

The data for deviation of synthesis error,TK0,TKc are typicl values. The sum of these data meets the requirements according to OIML R60

Copyright

Modifications reserved

All details describe our products in general from only.

They are not to be understood as express warranty and do not constitute liability whatsoever.

The company reserves the right to make amendments to this datasheet information without prior notice.

No part of this datasheet, including the texts, photographs, may be reproduced or transmitted without the express written permission of Ningbo Maken Import & Export Co.,Ltd.

MAKEN
MAKEN Im & Ex

Ningbo Maken Import & Export Co.,Ltd.
Add:No.18,YangShaShan West 9 Road, Chunxiaio,
Ningbo Economic&Technical Development Zone,China
ZIP:315800
Tel: +86-574-8680 6565 0574-8680 6868
Fax: +86-574-8680 6862 0574-8680 6866
E-mail: sales@makenie.com maken@makenie.com
http://www.makenie.com www.maken.biz